

# 三相電壓/電流錶 3 PHASE VOLTAGE/CURRENT METER



CP - 3V 3 φ Voltage Meter  
 CP - 3A 3 φ Current Meter

## Order Code

**Model** —

**Input** \_\_\_\_\_

1 : AC 0~600V

A : AC 0~5A

Y : Option

**Power Supply** \_\_\_\_\_

1 : AC 90~260V, 50/60Hz

2 : DC 24V

3 : DC 120V

## Features

- TRMS Voltage or Current
- Fullscale rate free setting
- Case 110 x 110mm

## Specifications

**Display** : Red LED 0.4" high

**Max. Display** : 4 Digits ( 9999 )

**Over range Indication** : " o.L "

**Conversion Rate** : 1/sec.

**Decimal Point** : Settable to any digit position by front sheet switch

**Input** : Voltage 0~600V, Current 0~5A

**Input Frequency** : 45~65Hz

**Output** : RS-485 or RS-232 (Modbus) — Option

**Accuracy** : ±0.25% FS. ±1 digit ( 23±5°C )

**Operating Temp.** : 0~60°C/ Below 80%R.H.

**Storage Temp.** : -10~70°C/ Below 70% R.H.

**Power Supply** : AC 90~260V, 50/60Hz

Option : DC 24, 48, 120V±20%

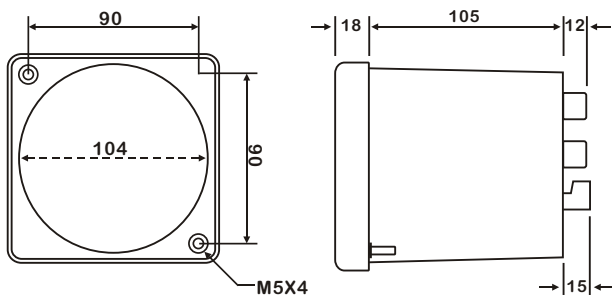
**Power Consumption** : Approx. 6VA

**Dielectric Strength** : AC 1500V/1min ( Input/Power )

**Insulation Resistance** : More than 100MΩ at 500VDC

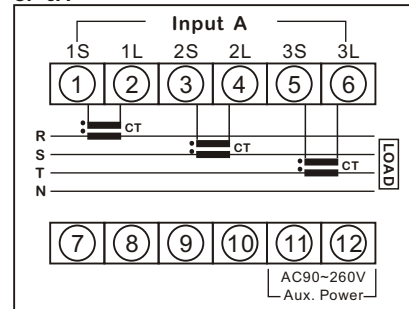
**Dimensions** : 110(W) × 110(H) × 140(D)mm

## Dimensions (mm)

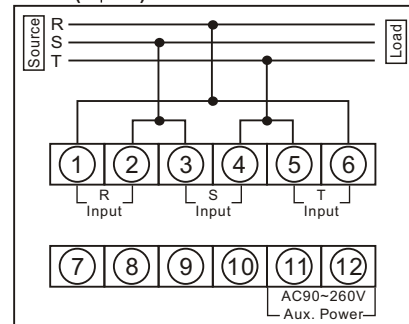


## Connection Diagram

CP-3A



CP-3V (3 φ 3W)



CP-3V (3 φ 4W)

