



- DM - 550 DC V/A, Analog Meter (0~99999)
- DM - 542 DC V/A, Analog Meter (0~±19999)
- DM - 54C RTD Temperature Meter (0~±19999)
- DM - 54R Resistor Meter

Features

- 最大顯示：0~99999, 0~±19999
- 可搭配 sensor 量測日照, 溫度, 壓力...等
- 類比輸出：DC 4~20mA, DC 0~10V
- 繼電器輸出：2 組
- RS-485 輸出：Modbus RTU mode
- 可製作二線式 DC 4~20mA

Specifications

- Display** : Red LED 0.56" high
- Max. Display** : ±19999, 99999
- Polarity Display** : "—" symbol is displayed automatically
- Over range Indication** : "o.L"
- Conversion Rate** : 2.5/sec.
- Decimal Point** : Settable to any digit position by front sheet switch
- Accuracy** : ±0.1% FS. (23±5°C)
- Operating Temp.** : 0~60°C/ below 80%R.H.
- Storage Temp.** : -10~70°C/ below 70% R.H.
- Power Supply** : AC 90~260V, 50/60Hz
- Power Consumption** : Approx. 5VA
- Dielectric Strength** : AC 1500V/1min (Input/Power)
- Insulation Resistance** : More than 100MΩ at 500VDC
- Dimensions** : 96(W) x 48(H) x 112.5(D)mm
- Panel Cut-Out** : 91.4(W) x 44(H)mm

RS-485 Interface (option)

- Address : 1 ~ FF (16Hex)
- Baudrate : 9600, 19.2K, 38.4K, 57.6K, 115.2K
- Frame : N.8.2, E.8.1, O.8.1, N.8.1
- Protocol : Modbus RTU Mode

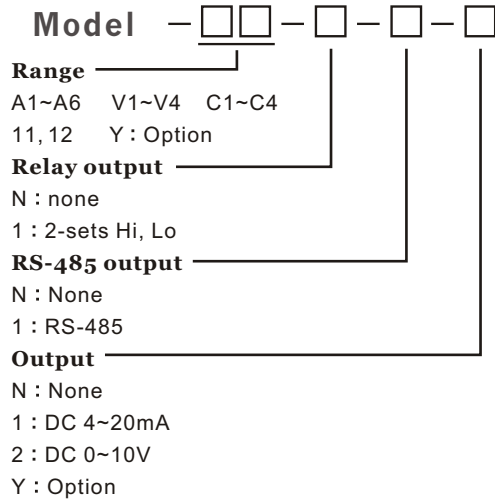
Relay output (option)

- Control system : Microcomputer
- Setting range : -9999 to +9999
- Relay contact capacity : AC 120V, 0.5A resistive load
DC 30V, 1A resistive load

Analog output (option)

- Output : DC 4~20mA, DC 0~10V
- Accuracy : ±0.1% FS. (23±5°C)

Order Code



Measurement Item

Code	Range (DM-542)	Range (DM-550)
A1	0~1.9999mA	0~9.9999mA
A2	0~19.999mA	0~99.999mA
A3	0~199.99mA	0~999.99mA
A4	0~1.9999A	
A5	0~5.000A	0~5.0000A
A6	0~10.000A	0~10.000A

Code	Range (DM-542)	Range (DM-550)
V1	0~1.9999V	0~9999.9mV
V2	0~19.999V	0~9.9999V
V3	0~199.99V	0~99.999V
V4	0~600.0V	0~600.00V
11	DC 1~5V	DC 1~5V
12	DC 4~20mA	DC 4~20mA

Resistor Measurement Item

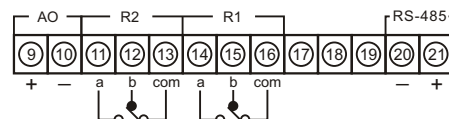
Code	Range
R1	0~200.0Ω
R2	0~2.0000KΩ
R3	0~20.000KΩ
R4	0~200.00KΩ

RTD Temperature Measurement Item

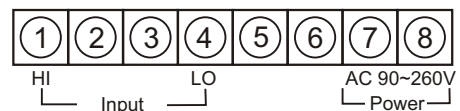
Code	Range	Sensor
C1	-100.0~100.0°C	PT-100 DIN---standard (JIS---option)
C2	0~100.0°C	
C3	0~200.0°C	
C4	0~400.0°C	

Connection Diagram

Upper



Lower



Model : DM-54C

