



- DMS - 44A TRMS AC V/A Meter (4-sets)
- DMS - 44D DC V/A, Analog Meter (4-sets)
- DMS - 42A TRMS AC V/A Meter (2-sets)
- DMS - 42D DC V/A, Analog Meter (2-sets)
- DMS - 42C RTD Temperature Meter (2-sets)
- DMS - 41A TRMS AC V/A Meter (1-sets)
- DMS - 41D DC V/A, Analog Meter (1-sets)

Features

- Relay output time delay 0~99sec.
- True RMS V/A
- Rate free setting
- 4~20mA, 1~5V measurement
- Direct setting function
- DIN case 96x 48mm

Specifications

Display : Red LED 0.4" high
Green LED 0.3" high

Max. Display : 4 digits (5000)

Polarity Display : "-" symbol is displayed automatically

Over range Indication : "o.L"

Conversion Rate : 2.5/sec.(DC) or 1/sec.(AC)

Decimal Point : Settable to any digit position by front sheet switch

External Control : Hold

Accuracy : $\pm 0.2\%$ FS.

Operating Temp. : 0~60°C/ below 80%R.H.

Storage Temp. : -10~70°C/ below 70%R.H.

Power Supply : AC 115/230V $\pm 10\%$, 50/60Hz

Power Consumption : Approx. 5VA

Dielectric Strength : AC 1500V/1min (Input/Power)

Insulation Resistance : More than 100M Ω at 500VDC

Dimensions : 96(W) x 48(H) x 112.5(D)mm

Panel Cut-Out : 91.4(W) x 44(H)mm

Order Code

Model —

Range

A1~A6 V1~V4

11, 21 C1~C4

Y : Option

AC/DC Voltage/Current Measurement Item

Code	Range (DMS-4)	Input Impedance	Input Protection
A1	0~500.0uA	100 Ω	50mA
A2	0~5.000mA	10 Ω	150mA
A3	0~50.00mA	1 Ω	500mA
A4	0~500.0mA	0.1 Ω	3A
A5	0~5.000A	0.05 Ω	10A
A6	0~10.00A	0.01 Ω	15A
V1	0~5.000V	1M Ω	300V
V2	0~50.00V		300V
V3	0~500.0V		600V
V4	0~500.0mV		300V
11	DC 1~5V		$\pm 300V$
21	DC 4~20mA	10 Ω	$\pm 200mA$

RTD Temperature Measurement Item

Code	Range	Sensor
C1	-100.0~100.0°C	PT-100 DIN---standard (JIS---option)
C2	0~100.0°C	
C3	0~200.0°C	
C4	0~400.0°C	

Comparison section

Control system : Microcomputer

Setting range : -9999 to +9999

Relay contact capacity :

Model : DMS - 44

AC 120V, 0.5A resistive load

DC 30V, 1A resistive load

Model : DMS - 42(Hi, Go, Lo)

AC 120V, 0.5A resistive load

DC 30V, 1A resistive load

Model : DMS - 42(Hi,Lo), DMS -41(Hi)

AC 240V, 4A resistive load

DC 30V, 5A resistive load

Comparative condition :

Model : DMS - 44

Indication > HH set point → HH LED on.

HH set point \geq Indication > HI set point → HI LED on.

HI set point \geq Indication > LO set point → GO LED on.

LO set point \geq Indication > LL set point → LO LED on.

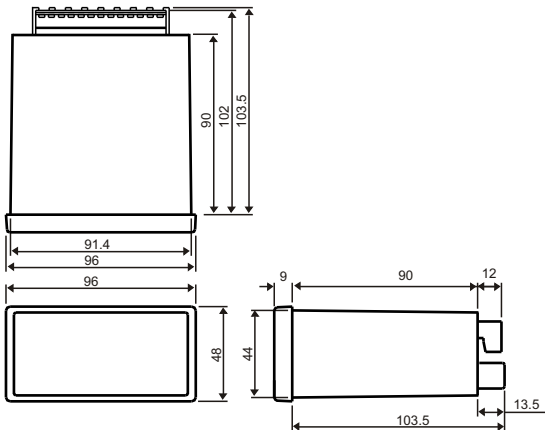
LL set point \geq Indication → LL LED on .

Model : DMS - 42

Indication > HI set point → HI LED on.

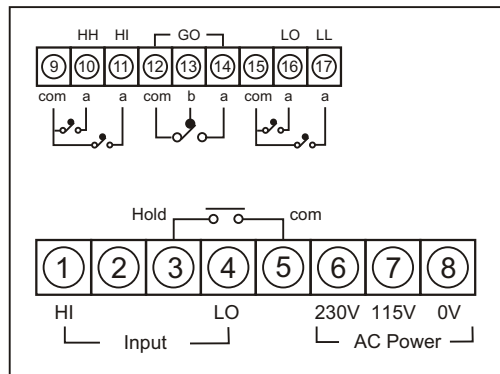
LO set point > Indication → LO LED on.

Dimensions

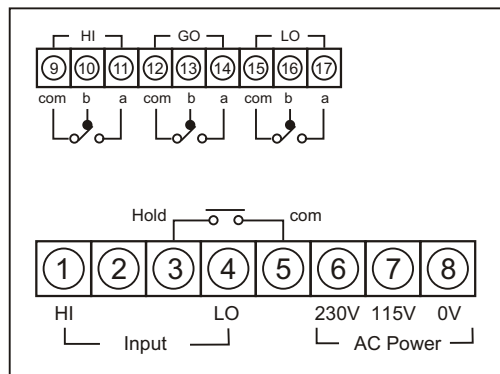


Connection Diagram

Model : DMS - 44



Model : DMS - 42



Model : DMS - 42C

