

# 位置隔離傳送器

# POSITION ISOLATED TRANSMITTER

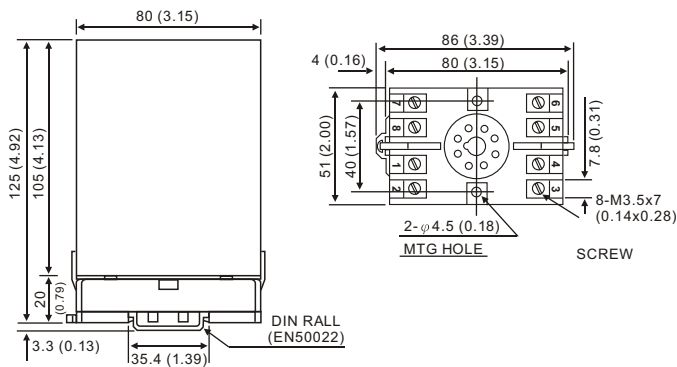


PP - 1 Position Isolated Transmitter

## Specifications

- Accuracy** :  $\pm 0.15\%$  ( $23 \pm 5^\circ\text{C}$ )
- Operating Temp.** :  $0 \sim 60^\circ\text{C}$  / Below 90% R.H.
- Storage Temp.** :  $-10 \sim 70^\circ\text{C}$  / Below 80% R.H.
- Power Supply** : AC  $115\text{V} \pm 10\%$ , 50/60Hz  
AC  $230\text{V} \pm 10\%$ , 50/60Hz  
Option : DC 12, 24, 48,  $120\text{V} \pm 20\%$
- Power Consumption** : Approx. 5VA
- Dielectric Strength** : AC 1800V/1min ( Input/Power )
- Span Adjustment** :  $\pm 10\%$
- Zero Adjustment** :  $\pm 5\%$
- Response time** : 0.4 sec. (0~90%)
- Mounting** : DIN rail
- Isolation** : Input / Output / Power / Case
- Input** :  $0 \sim 10\text{K}\Omega$  (3-wire)
- Output voltage** :  $0 \sim 10\text{V}$   
Load resistance = output voltage  $\div$  10mA
- Output current** :  $0 \sim 20\text{mA}$   
Load resistance =  $10\text{V} \div$  output current
- Output ripple** :  $\leq 0.5\%$  RO. ( peak - peak )

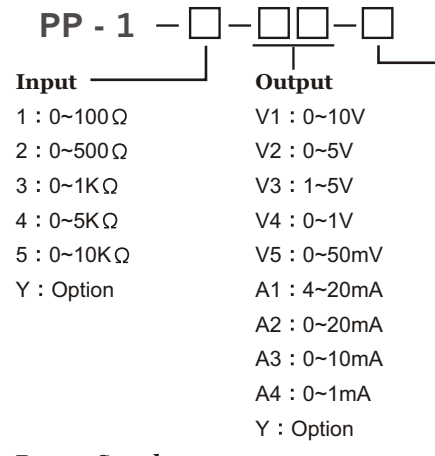
## Dimensions



## Features

- Accuracy  $\pm 0.15\%$
- Wide input and output range selection
- Plug-in type

## Order Code



### Power Supply

- 1 : AC  $115 \pm 10\%$ , 50/60Hz
- 2 : AC  $230 \pm 10\%$ , 50/60Hz
- Y : Option. (DC 12, 24, 48,  $120\text{V} \pm 20\%$  )

## Connection Diagram

