

# 直流隔離傳送器

# SIGNAL ISOLATED TRANSMITTER



PV - 1 DC Isolated Transmitter

PV - 1H DC High speed Isolated

## Specifications

Accuracy :  $\pm 0.1\%$  ( $23 \pm 5^\circ\text{C}$ )

Operating Temp. :  $0 \sim 60^\circ\text{C}$  / Below 80%R.H.

Storage Temp. :  $-10 \sim 70^\circ\text{C}$  / Below 70% R.H.

Power Supply : AC  $115\text{V} \pm 10\%$ , 50/60Hz  
AC  $230\text{V} \pm 10\%$ , 50/60Hz

Option : DC 12, 24, 48, 120V  $\pm 20\%$

Power Consumption : Approx. 5VA

Dielectric Strength : AC 1800V/1min ( Input/Power )

Span Adjustment :  $\pm 10\%$

Zero Adjustment :  $\pm 5\%$

Response time : PV - 1 ..... 0.4 sec. (0~90%)  
PV - 1H ..... 0.4msec. (0~90%)

Mounting : DIN rail

Isolation : Input / Output / Power / Case

Input signal : DC voltage (0~600V)  
DC current (for current input can be obtained from shunt)

Output voltage : 0~10V

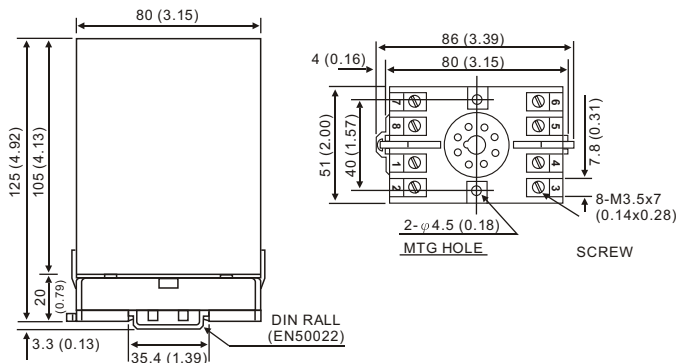
Load resistance = output voltage  $\div$  10mA

Output current : 0~20mA

Load resistance = 10V  $\div$  output current

Output ripple :  $\leq 0.5\%$  RO. ( peak - peak )

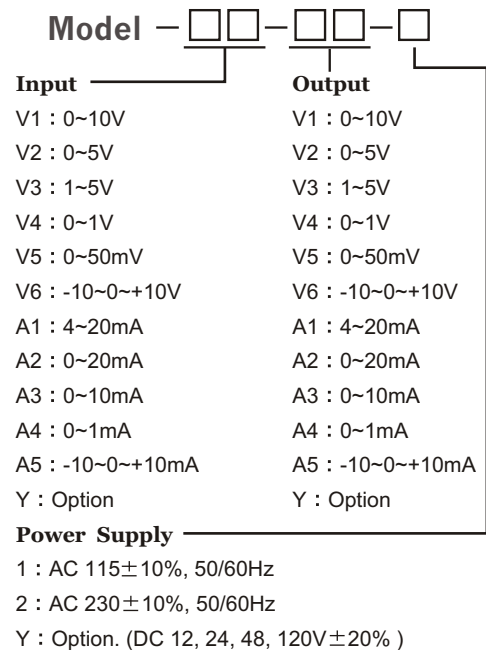
## Dimensions



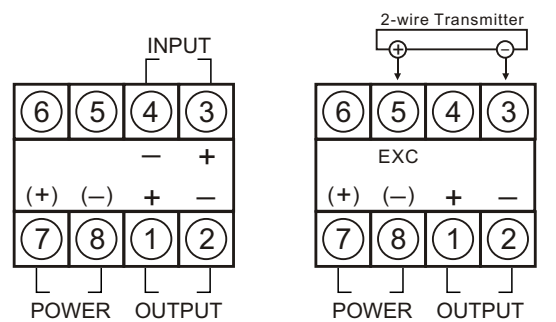
## Features

- Accuracy  $\pm 0.1\%$
- Wide input and output range selection
- Plug-in type

## Order Code



## Connection Diagram



※Two-wire transmitter