

微處理三相電壓(電流)錶

MICROPROCESS 3PHASE V(A) METER



PWR - 33V	3 ϕ 3W Voltage Meter
PWR - 34V	3 ϕ 4W Voltage Meter
PWR - 33A	3 ϕ Current Meter (3CT)

Features

- 最大值, 最小值, Hold 功能
- 同時顯示三相電壓或電流
- 電壓或電流為有效值 (True RMS)
- 電壓或電流的倍數可任意設定
- 兩組 Relay 輸出
- RS-485 interface (Modbus)
- DIN case 96x 48mm

Specifications

Display : Red LED 0.3" high

Max. Display : 4 digits (9999)

Over range Indication : " o.L "

Conversion Rate : 1/sec.(AC)

Decimal Point : Settable to any digit position by front sheet switch

Output : RS-485 Modbus (option)

Accuracy : $\pm 0.25\%$ FS. ± 2 digit ($23 \pm 5^\circ\text{C}$)

Operating Temp. : $0 \sim 60^\circ\text{C}$ / Below 80% R.H.

Storage Temp. : $-10 \sim 70^\circ\text{C}$ / Below 70% R.H.

Power Supply : AC 90~260V, 50/60Hz

Power Consumption : Approx. 5VA

Dielectric Strength : AC 1500V/1min (Input / Power)

Insulation Resistance : More than 100M Ω at 500VDC

Dimensions : 96(W) x 48(H) x 112.5(D)mm

Panel Cut-Out : 91.4(W) x 44(H)mm

Input

Voltage Range : 30~300VL-L, 50~500VL-L

Current Range : 0~1A, 0~5A

Over load : Voltage.....750V continuous
1.25 \times rated continuous
Current.....3 \times rated continuous
10 \times rated for 10sec.

Burden : $\leq 0.2\text{VA}$ per voltage circuit
 $\leq 0.2\text{VA}$ per current circuit

Frequency : 45~65Hz

RS-485 Interface (option)

Address : 1 ~ FF (16 Hex)

Baudrate : 19200, 9600, 4800, 2400, 1200

Frame : N.8.2, E.8.1, O.8.1, N.8.1

Protocol : Modbus RTU Mode

Relay Output

Relay contact capacity : AC 240V, 2A resistive load

DC 30V, 5A resistive load

Order Code

Model — — — —

Input

1 : AC 30~300VL-L

2 : AC 50~500VL-L

A : AC 0~1A

B : AC 0~5A

Y : Option

Power Supply

1 : AC 90~260V, 50/60Hz

Y : Option

Output

N : none

1 : Relay

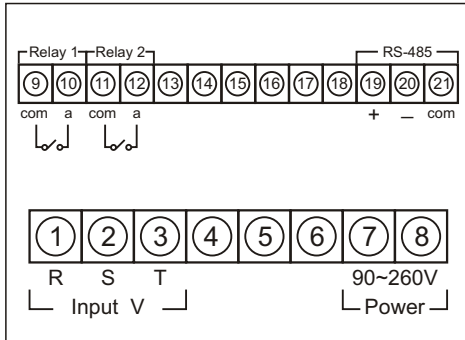
Output

N : none

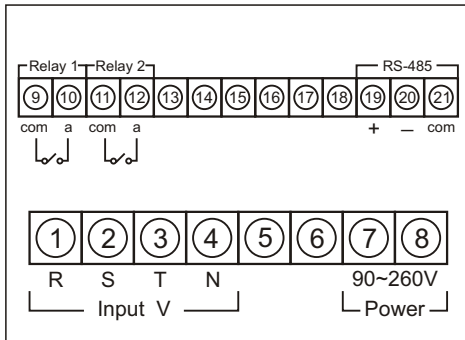
1 : RS-485

■ Connection Diagram

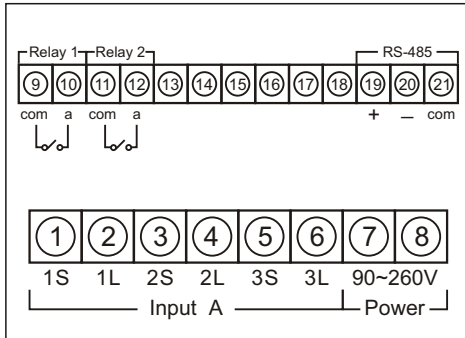
Model : PWR-33V



Model : PWR-34V



Model : PWR-33A



■ Dimensions

