

RS-485電錶 MICROPROCESS RS-485 METER



RS - 50 4 1/2 Digital RS-485 Meter
RS - 50R 4 1/2 Digital RS-485 Meter (2 Relay)



RS - 80 8 Digits RS-485 Meter
RS - 88 Dual 8 Digits RS-485 Meter
RS - 80R 8 Digits RS-485 Meter (2 Relay)
RS - 88R Dual 8 Digits RS-485 Meter (2 Relay)

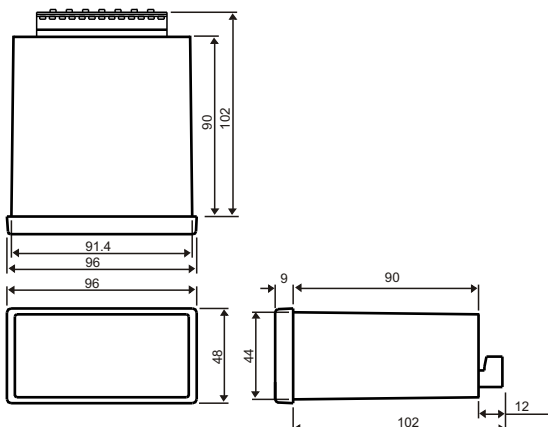
Features

- Max. ± 19999
- Protocol : Modbus
- DIN Case 96×48mm

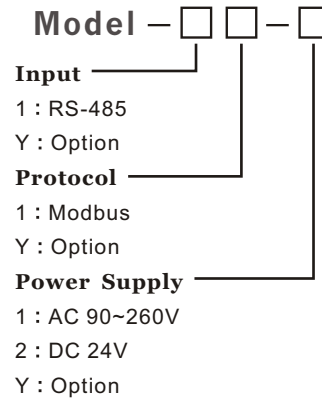
Specifications

- Display :** 0.56" Red LED (RS-50)
0.4" Red LED (RS-80 or RS-88)
- Range :** -19999~19999
- Input signal :** RS-485
- Baud rate :** 1200,2400,4800,9600 (Option : 19200)
- Address :** 1 ~ FF
- Protocol :** Modbus (Standard)
- Operating Temp. :** 0~60°C/ below 80%R.H.
- Storage Temp. :** -10~70°C/ below 70% R.H.
- Power Supply :** AC 90~260V, 50/60Hz
DC 24V (Option)
- Power Consumption :** Approx. 3VA
- Dielectric Strength :** AC 1500V/1min (Input/Power)
- Insulation Resistance :** DC 500V, 100MΩ at above terminals
- Dimensions :** 96(W) x 48(H) x 112.5(D)mm
- Panel Cut-Out :** 91.4(W) x 44(H)mm

Dimensions



Order Code



Connection Diagram

